

AHP2 | AIR DRIVEN HYDROTEST PUMPS - MEDIUM FLOW

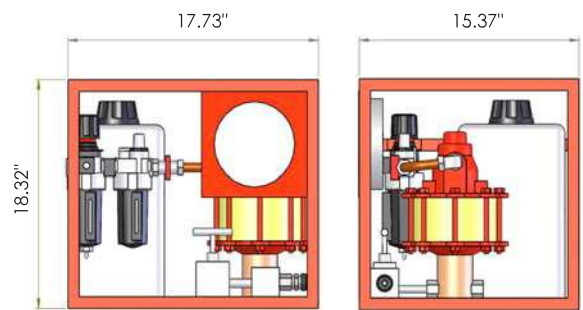


Output pressures up to 23700 psi

Suitable for use with various fluids

6 inches dual scale vibra pressure gauge

- ▶ Infinitely variable output pressure and fluid displacement speed
- ▶ Integral inlet air filtration and lubrication unit with air pressure gauge
- ▶ Airline regulator for easy setting of input air and output hydraulic pressure
- ▶ Maximum air consumption of 56 scfm (1.59 m³) per minute at 100 psi
- ▶ Smooth and easily operated hydraulic pressure hold and release valve
- ▶ Fitted with input air pump start/stop valve for easy and fast pressure shut off
- ▶ Robust powder coated stainless steel protective framework
- ▶ Lightweight plastic, 2 gallons capacity, fluid reservoir
- ▶ Optional stainless steel reservoir, stroke counter system and pressure isolation valve available on request



Model number	Max output pressure (psi) at airline input pressure			Fluid volume displacement per stroke (in ³)	Outlet port thread	Weight (lbs)
	10 psi 0.69 bar	50 psi 3.45 bar	100 psi 6.9 bar			
AHP2-036	249	1799	3600	2.49	½" NPT	52.9
AHP2-060	450	2899	6000	1.5	½" NPT	52.9
AHP2-097	750	4749	9700	0.93	½" NPT	52.9
AHP2-144	1099	7098	14400	0.62	½" NPT	52.9
AHP2-237	1900	11597	23700	0.37	¾" -18 UNF	52.9

Hydraulic pressure		Approximate rate of discharge (gallons/min) at air input pressure 100 psi (7 bar)				
psi	bar	AHP2-036	AHP2-060	AHP2-097	AHP2-144	AHP2-237
0	0	2.69	1.64	1.03	0.71	0.41
500	35	2.27	1.45	0.94	0.66	0.40
1000	69	1.91	1.27	0.84	0.62	0.39
1500	104	1.62	1.19	0.79	0.57	0.37
2000	138	1.43	1.11	0.76	0.57	0.36
3000	207	0.81	0.92	0.67	0.50	0.34
4000	276	*	0.73	0.60	0.46	0.32
5000	345	*	0.57	0.55	0.43	0.32
7500	517	*	*	0.38	0.36	0.29
10000	690	*	*	*	0.30	0.26
15000	1034	*	*	*	*	0.21
20000	1379	*	*	*	*	0.13
23700	1634	*	*	*	*	0.09

* Pressure exceeds pump capacity