

AHP11 - AIR DRIVEN SINGLE STAGE HAND AND FOOT OPERATED PUMPS



Working pressure 10000 psi

Compact, lightweight & powerful

Standard 100 psi air input pressure required

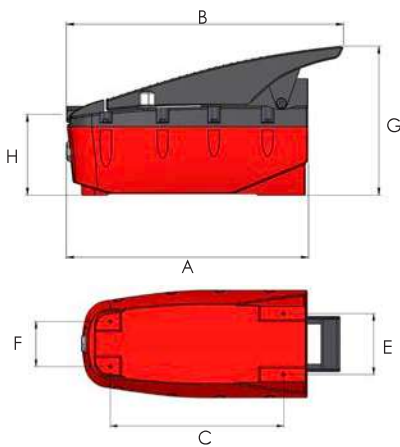
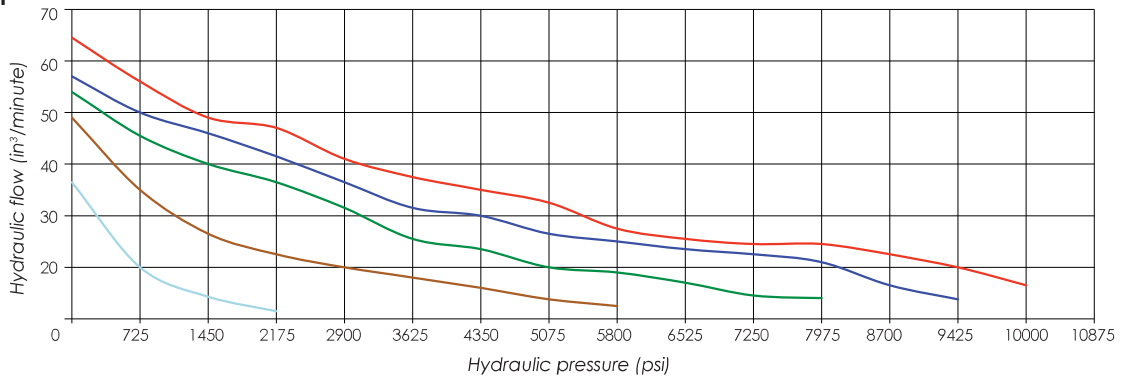
- ▶ Choice of oil reservoirs from 0.63 to 2.64 gallons capacity
- ▶ Choice of 2-way or 4-way control valves
- ▶ Safety overload protection valve fitted as standard
- ▶ All models fitted with steel oil reservoir (excluding AHP1120)
- ▶ Optional remote pendant controller available. Suffix model number with 'R'

Oil flow / Pressure chart

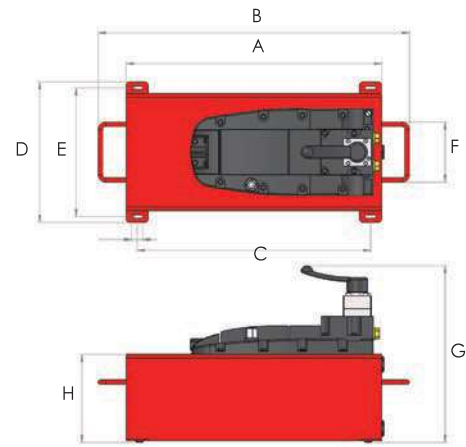
Airline pressure

- 41 psi
- 61 psi
- 81 psi
- 100 psi
- 120 psi

Air consumption
105.6 gal/min



AHP1120 (plastic oil reservoir)
AHP1121 (metal oil reservoir)
AHP1122 (metal oil reservoir)



AHP1141 (metal oil reservoir)
AHP1142 (metal oil reservoir)

Model number	Maximum flow rate (in³/min)	Valve type	Usable oil capacity (gallons)	Air inlet connection G	Oil outlet connection NPTF	Weight (lbs)	Dimensions (in)							
							A	B	C	D	E	F	G	H
AHP1120	48.82	2-way	0.63	1/4"	3/8"	10.4	14.38	*	9.34	6.19	2.6-3.55	*	8.27	4.93
AHP1121	48.82	2-way	1.32	1/4"	3/8"	19.8	16.55	*	14.97	9.46	8.67	*	8.79	4.49
AHP1122	48.82	2-way	2.64	1/4"	3/8"	39.2	18.28	22.06	*	8.27	*	4.26	10.8	6.23
AHP1141	48.82	4-way	1.32	1/4"	3/8"	20.9	16.55	*	14.97	9.46	8.67	*	10.44	4.49
AHP1142	48.82	4-way	2.64	1/4"	3/8"	40.3	18.28	22.06	*	8.27	*	*	12.41	6.23

*Not Applicable