

SJS | STEPPED JAW SPREADERS

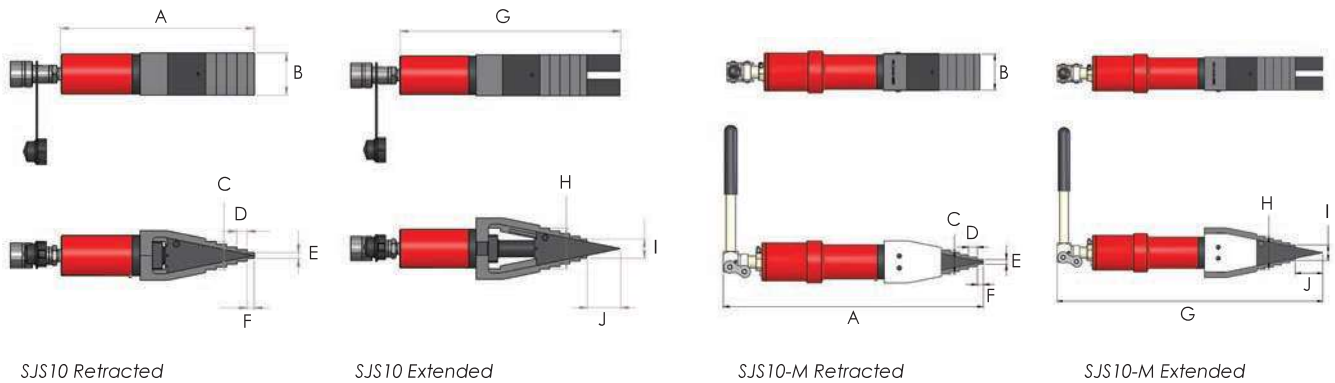


Capacity 14 tons per spreader unit

Maximum spread 2.36 inches

Supplied with safety block & stepped blocks

- ▶ Single acting, spring assisted return
- ▶ High strength steel construction
- ▶ Compact, lightweight and easy to use
- ▶ Low height jaw tips can easily fit into an 0.32 inches gap
- ▶ Maximum spreading distance 2.36 inches when using the supplied step blocks
- ▶ Self-contained spreader unit (SJS10-M) incorporates an integral manual hydraulic pump with multi-position operating lever



Model number	Capacity (tons)	Stroke (in)	Minimum height (in)	Maximum spread (in)	Oil capacity (in ³)	Weight (lbs)	Dimensions (in)									
							A	B	C	D	E	F	G	H	I	J
SJS10	14	1.97	0.32	2.36	4.51	12.1	10.99	2.36	1.58	0.59	0.32	0.39	12.92	2.36	1.1	1.93
SJS10-M	14	1.97	0.32	2.36	4.51	16.5	17.06	2.36	1.58	0.59	0.32	0.39	19.03	2.36	1.1	1.93

TWIN KIT:

- ▶ Twin spreader kit is ideal for applications requiring two tools to be operated simultaneously
- ▶ Offers an even spread of the flange joint during gasket replacement

Model number	Spreaders 2 x	Pump 1 x	Hoses 2 x	Manifold 1 x	Gauges 2 x	Gauge blocks 2 x	Metal box 1 x	Weight (lbs)
SJS10-TK	SJS10	HP212	HC3C	HM2C	HG63G	AGA1-25	MSB4	76.1