

IS | IMPERIAL HEXAGON AF SIZE HEAVY DUTY SOCKETS

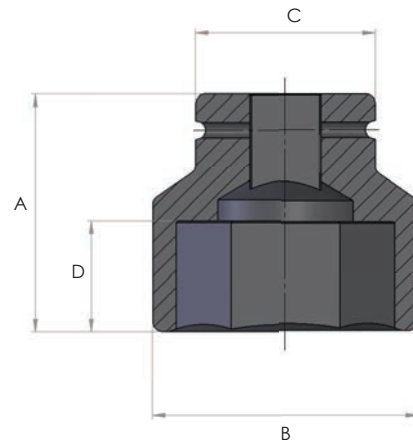


- ▶ High quality, imperial size heavy duty impact sockets
- ▶ Suitable for use with Hi-Force TWS-N hydraulic torque wrenches and IW impact wrenches
- ▶ Long length, bi-hexagonal and special sockets available on request

Square drives from 3/4" to 2 1/2"

Across flat sizes up to 6 7/8"

Supplied complete with retaining ring and pin



Model number	Square drive	Nut AF (inches)	Dimensions (in)			
			A	B	C	D
IS2-101	3/4"	1 1/16"	2.05	1.58	1.5	0.63
IS2-104	3/4"	1 1/4"	2.05	1.73	1.73	0.79
IS2-107	3/4"	1 7/16"	2.21	2.01	1.73	0.91
IS2-110	3/4"	1 5/8"	2.44	2.29	1.73	1.06
IS2-113	3/4"	1 3/8"	2.68	2.64	1.73	1.26
IS2-200	3/4"	2"	2.84	2.8	2.13	1.38
IS2-203	3/4"	2 3/16"	2.92	3.03	2.13	1.38
IS2-206	3/4"	2 3/8"	2.96	3.31	2.13	1.38
IS9-101	1"	1 1/16"	2.29	1.73	2.01	0.67
IS9-104	1"	1 1/4"	2.36	2.01	2.01	0.83
IS9-107	1"	1 7/16"	2.44	2.21	2.05	1.02
IS9-110	1"	1 5/8"	2.44	2.44	2.05	1.02
IS9-113	1"	1 3/8"	2.52	2.68	2.29	1.06
IS9-200	1"	2"	2.76	2.92	2.29	1.22
IS9-203	1"	2 3/16"	2.84	3.15	2.44	1.26
IS9-206	1"	2 3/8"	3.07	3.43	2.44	1.38
IS9-209	1"	2 1/16"	3.15	3.66	2.44	1.42
IS9-212	1"	2 3/4"	3.35	3.86	2.44	1.58
IS9-215	1"	2 5/16"	3.74	4.1	3.39	1.89
IS9-302	1"	3 1/8"	3.94	4.29	3.39	2.05
IS9-308	1"	3 1/2"	4.14	4.93	3.39	2.05
IS9-314	1"	3 7/8"	4.14	5.36	3.74	2.05
IS5-113	1 1/2"	1 3/8"	3.31	2.99	3.39	1.06
IS5-200	1 1/2"	2"	3.43	3.23	3.39	1.14

Model number	Square drive	Nut AF (inches)	Dimensions (in)			
			A	B	C	D
IS5-203	1 1/2"	2 3/16"	3.55	3.39	3.39	1.42
IS5-206	1 1/2"	2 3/8"	3.62	3.66	3.39	1.5
IS5-209	1 1/2"	2 1/16"	3.74	3.82	3.39	1.58
IS5-212	1 1/2"	2 3/4"	3.94	4.14	3.39	1.69
IS5-215	1 1/2"	2 5/16"	4.06	4.33	3.39	1.77
IS5-302	1 1/2"	3 1/8"	4.33	4.57	3.39	1.97
IS5-308	1 1/2"	3 1/2"	4.65	5.12	3.39	2.17
IS5-314	1 1/2"	3 7/8"	4.93	5.52	3.74	2.29
IS5-404	1 1/2"	4 1/4"	4.93	5.91	3.74	2.29
IS5-410	1 1/2"	4 5/8"	5.32	6.5	3.74	2.56
IS5-500	1 1/2"	5"	5.52	7.05	5	2.76
IS5-506	1 1/2"	5 3/8"	5.91	7.68	5	2.96
IS6-302	2 1/2"	3 1/8"	5.52	4.89	5	2.01
IS6-308	2 1/2"	3 1/2"	5.52	5.32	5	2.01
IS6-314	2 1/2"	3 7/8"	5.91	5.79	5	2.25
IS6-404	2 1/2"	4 1/4"	6.3	6.26	5	2.52
IS6-410	2 1/2"	4 5/8"	6.7	6.78	5	2.8
IS6-500	2 1/2"	5"	6.9	7.29	5	2.96
IS6-506	2 1/2"	5 3/8"	7.09	7.76	5	3.11
IS6-512	2 1/2"	5 3/4"	7.29	8.27	5	3.27
IS6-602	2 1/2"	6 1/8"	7.49	8.79	5	3.59
IS6-608	2 1/2"	6 1/2"	7.68	9.26	5	3.74
IS6-614	2 1/2"	6 7/8"	7.88	9.77	5	4.14