

**HP-FP | MANUALLY OPERATED FOOT PUMPS**

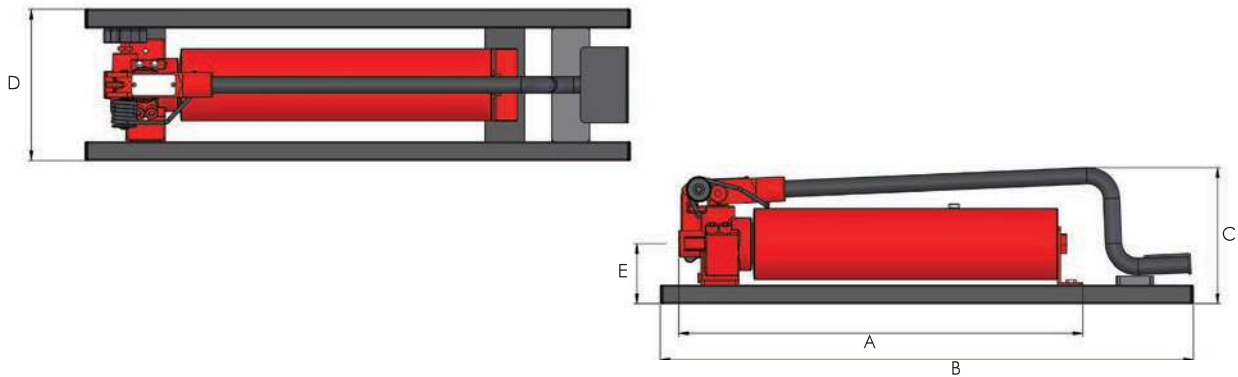


Working pressure 10000 psi

Two stage operation

Durable steel construction

- ▶ Oil reservoir capacity 140.35 inch<sup>3</sup>
- ▶ External pressure release valve and factory set safety relief valve
- ▶ Wide foot pedal for easy and controlled pumping action
- ▶ Steel framework for maximum stability



Model number	Valve type	Displacement per stroke (in <sup>3</sup> )		Usable oil capacity (in <sup>3</sup> )	Handle effort (lbs)	Weight (lbs)	Dimensions (in)				
		1 <sup>st</sup> stage	2 <sup>nd</sup> stage				A	B	C	D	E
HP227FP	2-way	0.79	0.14	140.35	86	27.6	21.43	28.17	7.29	7.88	3.07
HP227FPC	2-way	0.79	0.14	140.35	86	32.0	21.43	30.06	8.94	7.88	3.07

*Note: HP227FPC is supplied with pressure gauge, gauge mounting block and 10 ft hose with male coupler*