

HPX | MANUALLY OPERATED ULTRA HIGH PRESSURE PUMPS

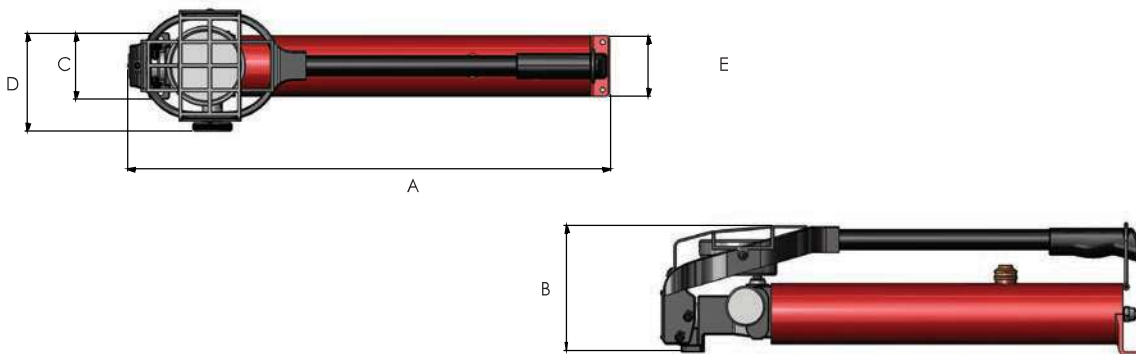


Compact lightweight aluminum construction

Two stage operation

Choice of 21750 or 40600 psi pressure rating

- ▶ Oil reservoir capacity 73.23 inch³
- ▶ External pressure release valve and factory set safety valve
- ▶ Specifically designed for high pressure applications
- ▶ Bespoke handle with ergonomic grip and mesh guard to protect pressure gauge



Model number	Working pressure (psi)	Usable oil capacity (in ³)	Displacement per stroke (in ³)		Outlet port	Weight (lbs)	Dimensions (in)				
			1 st stage	2 nd stage			A	B	C	D	E
HPX1500	21750	73.23	1.22	0.06	¼" BSP	14.3	24.23	6.34	3.31	4.93	3.01
HPX2800	40600	73.23	1.22	0.05	⅜"-18 UNF	14.3	24.23	6.34	3.31	4.93	3.01

Optional Hoses:

Model number	Working pressure (psi)	Description	Weight (lbs)
XHH3-15	21750	10 ft hose with ¼" BSP male thread each end	3.1
XHH5-15	21750	16.5 ft hose with ¼" BSP male thread each end	5.7
XHH3-30	43500	10 ft hose with ⅜"-18 UNF male coned thread each end	7.1
XHH5-30	43500	16.5 ft hose with ⅜"-18 UNF male coned thread each end	11.2