

HFG | SINGLE ACTING FAILSAFE LOCK RING CYLINDERS

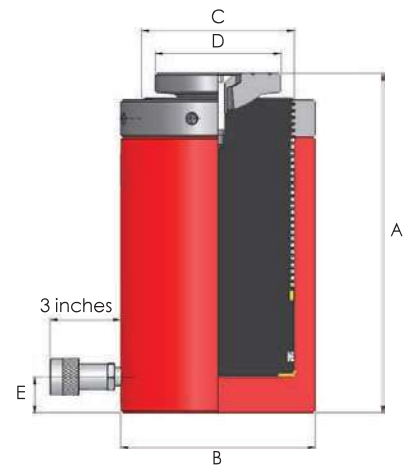


Capacities from 55 to 573 tons

Stroke lengths from 1.97 to 5.99 inches

Working pressure 10000 psi

- ▶ Single acting, load return
- ▶ Mechanical lock ring feature allows for load holding for extended periods
- ▶ Suitable for vertical lifting applications only
- ▶ Threaded piston with tilting saddle fitted as standard to reduce the risk of side loading
- ▶ Nitrocarburized cylinder body and piston rod for increased corrosion protection
- ▶ Low friction bearing surfaces
- ▶ Anti-extrusion seals for improved performance at high pressures
- ▶ Overstroke restrictor port to prevent over extension of piston
- ▶ Tommy bars for easy rotation of the load holding lock ring are listed in the below table
- ▶ Saddle and piston rod details are listed on pages 24 and 25



Model number	Capacity (tons)	Stroke (in)	Oil capacity (in ³)	Cylinder eff. area (in ²)	Weight (lbs)	Tommy bar	Dimensions (in)				
							A	B	C	D	E
HFG502	55	2.01	21.97	11.05	35.7	TTB10	6.82	5	3.74	2.76	0.99
HFG504	55	4.02	44.55	11.05	45.4	TTB10	8.83	5	3.74	2.76	0.99
HFG506	55	5.91	65.3	11.05	55.1	TTB10	10.72	5	3.74	2.76	0.99
HFG1002	120	2.01	46.38	23.78	77.2	TTB10	7.45	7.29	5.52	4.53	1.08
HFG1004	120	3.94	93.37	23.78	110.9	TTB10	9.46	7.29	5.52	4.53	1.08
HFG1006	120	5.91	140.35	23.78	144.2	TTB10	12.25	7.29	5.52	4.53	1.08
HFG1502	168	2.01	65.3	33.22	172.0	TTB10	9.34	8.51	6.5	5.32	1.65
HFG1504	168	3.94	130.59	33.22	185.2	TTB10	11.35	8.51	6.5	5.32	1.65
HFG1506	168	5.91	195.89	33.22	197.3	TTB10	13.32	8.51	6.5	5.32	1.65
HFG2002	224	1.97	86.65	44.19	210.3	TTB14	10.28	10.01	7.49	5.32	1.97
HFG2006	224	5.99	264.23	44.19	302.0	TTB14	14.26	10.01	7.49	5.32	1.97
HFG2506	282	5.99	335.63	56.81	377.0	TTB14	15.8	10.76	8.51	5.91	1.97
HFG3006	359	5.91	419.23	70.94	503.8	TTB14	16.43	12.21	9.5	5.91	1.97
HFG4006	439	5.95	515.04	86.65	680.1	TTB14	18.08	14.18	10.52	7.09	2.76
HFG5006	573	5.99	677.36	113.13	1007.5	TTB16	19.62	15.76	12.02	7.09	3.15
HFG8006	892	5.99	1066.15	175.79	1620.4	TTB16	22.26	18.91	14.97	13.4	3.15
HFG10006	1115	5.99	1318.80	220.0	2239.9	TTB20	24.43	21.28	16.75	13.4	3.55

Note: Other capacities and stroke lengths available on request.

If specifying this cylinder for use with the SLF and SLV synchronous lifting systems and associated mounting kit, please consider the increase in dimension A (closed height), see pages 43 and 47.