

HGG | SINGLE ACTING LOAD RETURN HIGH TONNAGE INDUSTRIAL CYLINDERS

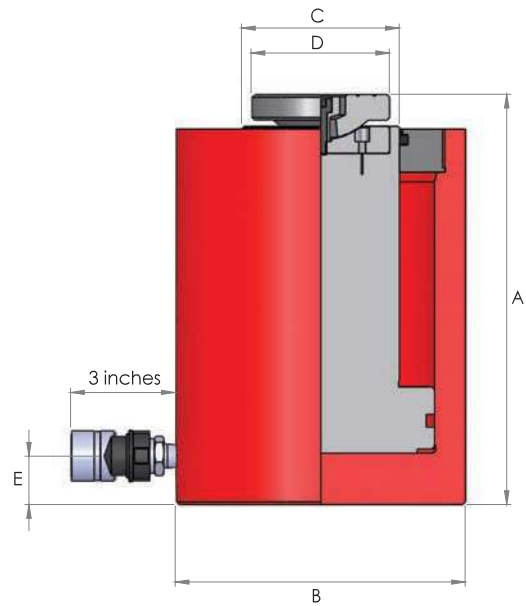


Capacities from 168 to 359 tons

Stroke length 6.11 inches

Working pressure 10000 psi

- ▶ Single acting, load return
- ▶ Heavy duty design for lifting and maintenance applications
- ▶ Integral stop ring for piston stroke limitation
- ▶ Tilting saddle fitted as standard to reduce the risk of side loading
- ▶ Low friction bearing surfaces
- ▶ Nitrocarburized piston rod for corrosion resistance
- ▶ Anti-extrusion seals for improved performance at high pressures
- ▶ Saddle and piston rod details are listed on pages 24 and 25



Model number	Capacity (tons)	Stroke (in)	Oil capacity (in ³)	Cylinder eff. area (in ²)	Weight (lbs)	Dimensions (in)				
						A	B	C	D	E
HGG1506	168	6.11	202.6	33.22	128.5	11.7	8.27	4.49	3.94	1.46
HGG2006	224	6.11	282.54	44.19	210.1	12.21	10.01	5.52	5.32	1.97
HGG3006	359	6.11	433.27	70.94	338.4	13.51	12.29	6.5	5.91	1.97

Note: If specifying this cylinder for use with the SLF and SLV synchronous lifting systems and associated mounting kit, please consider the increase in dimension A (closed height), see pages 43 and 47.