

HSS | SINGLE ACTING MULTI-PURPOSE CYLINDERS



Capacities from 5 to 120 tons

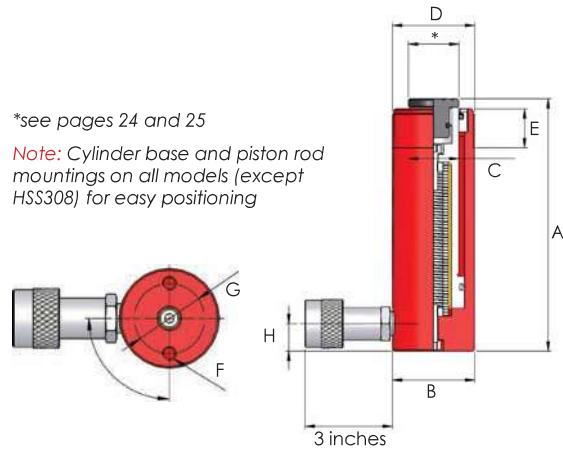
Stroke lengths from 0.99 to 18.01 inches

Working pressure 10000 psi

- ▶ Single acting, spring assisted return
- ▶ Nitrocarburized piston rod for corrosion resistance
- ▶ Low friction bearing surfaces
- ▶ Anti-extrusion seals for improved performance at high pressures
- ▶ Collar threads withstand full load
- ▶ Grooved saddles fitted as standard on all models
- ▶ Optional piston rod saddles listed on pages 24 and 25

*see pages 24 and 25

Note: Cylinder base and piston rod mountings on all models (except HSS308) for easy positioning



Model number	Capacity (tons)	Stroke (in)	Oil capacity (in ³)	Cylinder eff. area (in ²)	Weight (lbs)	Dimensions (in) (unless otherwise stated)							
						A	B	C	D	E	F	G	H
HSS51	5	0.99	0.98	0.99	2.2	4.22	1.5	0.95	1 1/2"-16 UN	1.1	M6	0.99	0.75
HSS52	5	1.97	1.95	0.99	2.6	5.2	1.5	0.95	1 1/2"-16 UN	1.1	M6	0.99	0.75
HSS53	5	2.96	2.93	0.99	3.1	6.19	1.5	0.95	1 1/2"-16 UN	1.1	M6	0.99	0.75
HSS54	5	3.94	3.9	0.99	3.3	7.17	1.5	0.95	1 1/2"-16 UN	1.1	M6	0.99	0.75
HSS55	5	4.93	4.88	0.99	4.0	8.16	1.5	0.95	1 1/2"-16 UN	1.1	M6	0.99	0.75
HSS57	5	6.93	6.89	0.99	4.4	10.17	1.5	0.95	1 1/2"-16 UN	1.1	M6	0.99	0.75
HSS59	5	8.94	8.91	0.99	5.3	12.14	1.5	0.95	1 1/2"-16 UN	1.1	M6	0.99	0.75
HSS101	11	0.99	2.2	2.23	4.0	3.94	2.25	1.38	2 1/4"-14 UN	1.06	M8	1.58	0.75
HSS102	11	2.21	4.94	2.23	5.3	5.16	2.25	1.38	2 1/4"-14 UN	1.06	M8	1.58	0.75
HSS104	11	3.94	8.78	2.23	6.6	6.9	2.25	1.38	2 1/4"-14 UN	1.06	M8	1.58	0.75
HSS106	11	5.91	13.24	2.23	9.3	8.87	2.25	1.38	2 1/4"-14 UN	1.06	M8	1.58	0.75
HSS108	11	8.12	18.12	2.23	11.0	11.07	2.25	1.38	2 1/4"-14 UN	1.06	M8	1.58	0.75
HSS1010	11	9.85	22.02	2.23	11.9	12.81	2.25	1.38	2 1/4"-14 UN	1.06	M8	1.58	0.75
HSS1012	11	12.02	26.84	2.23	13.7	14.93	2.25	1.38	2 1/4"-14 UN	1.06	M8	1.58	0.75
HSS152	16	1.97	6.16	3.15	7.5	6.07	2.76	1.62	2 3/4"-16 UN	1.54	M10	1.89	0.75
HSS154	16	3.94	12.38	3.15	11.0	8.04	2.76	1.62	2 3/4"-16 UN	1.54	M10	1.89	0.75
HSS156	16	5.91	18.54	3.15	14.6	10.01	2.76	1.62	2 3/4"-16 UN	1.54	M10	1.89	0.75
HSS1510	16	9.85	30.93	3.15	19.4	13.95	2.76	1.62	2 3/4"-16 UN	1.54	M10	1.89	0.75
HSS252	28	2.01	10.86	5.41	14.3	6.86	3.39	2.13	3 3/8"-12 UN	1.93	M12	2.36	0.99
HSS254	28	4.02	21.72	5.41	17.6	8.87	3.39	2.13	3 3/8"-12 UN	1.93	M12	2.36	0.99
HSS256	28	5.91	31.96	5.41	21.2	10.76	3.39	2.13	3 3/8"-12 UN	1.93	M12	2.36	0.99
HSS258	28	8	43.25	5.41	24.7	12.77	3.39	2.13	3 3/8"-12 UN	1.93	M12	2.36	0.99
HSS2510	28	9.85	53.31	5.41	27.8	14.74	3.39	2.13	3 3/8"-12 UN	1.93	M12	2.36	0.99
HSS2514	28	14.03	75.76	5.41	37.0	18.91	3.39	2.13	3 3/8"-12 UN	1.93	M12	2.36	0.99
HSS2518	28	18.01	97.42	5.41	47.2	24.07	3.39	2.13	3 3/8"-12 UN	1.93	M12	2.36	0.99
HSS308	32	8.08	52.46	6.49	41.0	14.74	4.02	2.25	3 3/8"-12 UN	1.97	-	-	1.97
HSS502	55	2.01	22.2	11.05	28.7	5.91	5	3.11	5"-12 UN	2.17	M12	3.35	0.79
HSS504	55	4.02	44.41	11.05	37.0	7.92	5	3.11	5"-12 UN	2.17	M12	3.35	0.79
HSS506	55	5.99	66.12	11.05	44.1	9.89	5	3.11	5"-12 UN	2.17	M12	3.35	0.79
HSS508	55	8	88.33	11.05	51.1	11.9	5	3.11	5"-12 UN	2.17	M12	3.35	0.79
HSS5013	55	13	143.59	11.05	74.1	16.9	5	3.11	5"-12 UN	2.17	M12	3.35	0.79
HSS756	80	5.99	95.22	15.92	68.3	10.72	5.75	3.74	5 3/4"-12 UN	1.77	M12	4.53	1.26
HSS1004	120	4.02	95.47	23.78	91.7	8.79	7.29	4.49	6 7/8"-12 UN	1.97	M12	5.75	1.26
HSS1006	120	6.03	143.17	23.78	109.8	10.8	7.29	4.49	6 7/8"-12 UN	1.97	M12	5.75	1.26
HSS10010	120	10.01	237.66	23.78	144.4	14.78	7.29	4.49	6 7/8"-12 UN	1.97	M12	5.75	1.26

Note: If specifying this cylinder for use with the SLF and SLV synchronous lifting systems and associated mounting kit, please consider the increase in dimension A (closed height), see pages 43 and 47.