

**DNS | DOUBLE ACTING NUT SPLITTERS**

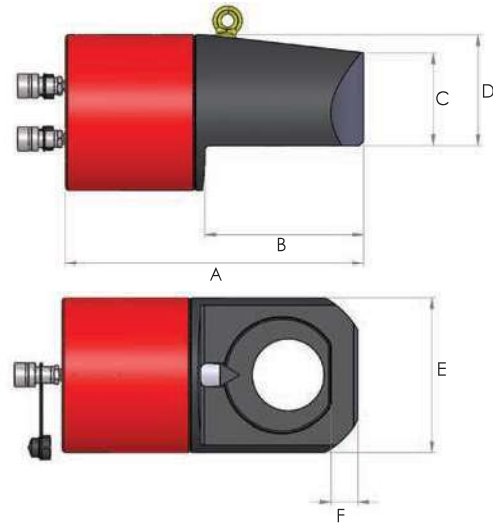


- ▶ Double acting hydraulic piston for easy extension and retraction of the blade
- ▶ Angled body design for increased clearance on flanges and flat surfaces
- ▶ High quality steel construction
- ▶ Suitable for splitting nuts up to RC44 hardness
- ▶ Designed to fit on all API and ANSI flanges
- ▶ Steel linkage keeps blade cutting edge parallel to the nut throughout the splitting process

Nut AF sizes from 2 15/16" to 5 3/8"

Bolt sizes from 1 7/8" to 3 1/2"

Working pressure 10000 psi



Model number	Capacity (tons)	Oil capacity (in <sup>3</sup> )	Hexagon AF sizes		Stud bolt thread sizes		Weight (lbs)	Dimensions (in)					
			inch	mm	imperial	metric		A	B	C	D	E	F
DNS404	131.8	48.56	2 15/16" - 4 1/4"	75 - 105	1 7/8" - 2 3/4"	M48 - M72	110.2	14.95	7.56	3.92	5.14	7.21	1.34
DNS506	224.2	92.11	4 1/4" - 5 3/8"	105 - 136	2 3/4" - 3 1/2"	M72 - M95	211.6	17.77	9.46	5.52	6.6	9.26	1.62

*Note: DNS nut splitters are for use on heavy duty nuts, where the nut height is equal to or greater than two-thirds of the blade length of the tool being used.*

Replacement blades for DNS nut splitters

Blade part number	For nut splitter
DNS404-B	DNS404
DNS506-B	DNS506