

**HMNS | SELF-CONTAINED NUT SPLITTERS**

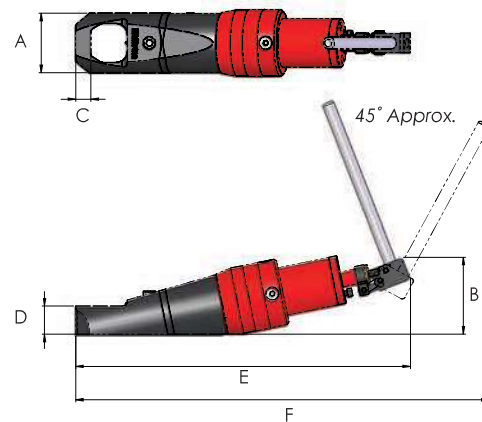


Nut AF sizes from 1 1/16" to 2"

Bolt sizes from 1/2" to 1 1/4"

Working pressure 10000 psi

- ▶ Single acting, spring assisted return
- ▶ Incorporates an integral hydraulic pump with multi-positional lever
- ▶ Angled body design for increased clearance on flanges and flat surfaces
- ▶ High quality steel construction
- ▶ Suitable for splitting nuts up to RC44 hardness
- ▶ Designed to fit on all API and ANSI flanges
- ▶ Offers ideal 'cold cut' solution for applications where 'hot work' permits are not allowed
- ▶ Steel linkage keeps blade cutting edge parallel to the nut throughout the splitting process
- ▶ Compact and easy to use



Model number	Capacity (tons)	Hexagon AF sizes		Stud bolt thread sizes		Weight (lbs)	Dimensions (in)					
		inch	mm	imperial	metric		A	B	C	D	E	F
HMNS104	18	1 1/16" - 1 1/4"	17 - 32	1/2" - 3/4"	M10 - M22	12.8	2.52	3.47	0.49	1.18	14.97	17.93
HMNS110	27.4	1 1/4" - 1 5/8"	32 - 41	3/4" - 1"	M22 - M27	17.4	3.07	3.98	0.79	1.46	17.34	21.28
HMNS200	45.4	1 5/8" - 2"	41 - 50	1" - 1 1/4"	M27 - M33	30.0	3.7	4.41	0.83	1.69	18.56	22.3

*Note: HMNS nut splitters are for use on heavy duty nuts, where the nut height is equal to or greater than two-thirds of the blade length of the tool being used.*

Replacement blades for HMNS nut splitters

Blade part number	For nut splitter
NS104-B	HMNS104
NS110-B	HMNS110
NS200-B	HMNS200