

TPE | ELECTRIC DRIVEN TORQUE WRENCH PUMPS - PREMIUM LINE

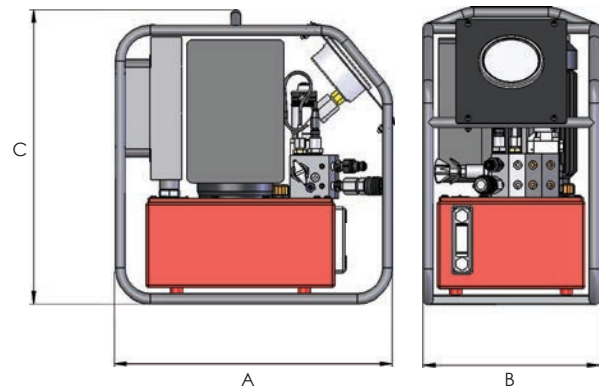


Working pressure 10000 psi

High flow 3-stage pump unit

Compact and lightweight

- ▶ Low noise operation (<88 db)
- ▶ Supplied fitted with one set of quick connect couplers
- ▶ Automatically activated oil cooling heat exchanger fitted as standard
- ▶ Adjustable torque setting pressure relief valve with locking nut
- ▶ Analog or digital gauge options
- ▶ Remote hand pendant controller with 16.5 feet cable for easy operation
- ▶ Choice of manual operation with auto retract or fully automatic operation
- ▶ Multi-outlet 4-way split block for simultaneous operation of up to 4 torque wrenches
- ▶ Factory fitted roll bar protection and carrying frame



Model number	Power supply	Pressure gauge	Gauge reading *	Flow rate (gallons/min)			Oil capacity (gallons)	Max. oil temp (°C)	Weight incl. oil (lbs)	Dimensions (in)		
				1 st stage (0-943 psi)	2 nd stage (943-4,713 psi)	3 rd stage (4,713-10000 psi)				A	B	C
TPE15A	110V-1Ph-50 Hz	analog	psi/bar	6.5	1.5	0.75	1.85	80°	86.0	17.97	11.27	18.75
TPE15D	110V-1Ph-50 Hz	digital	psi/bar/Nm/lbf.ft	6.5	1.5	0.75	1.85	80°	86.0	17.97	11.27	18.75
TPE16A	120V-1Ph-60 Hz	analog	psi/bar	7.8	1.8	0.90	1.85	80°	86.0	17.97	11.27	18.75
TPE16D	120V-1Ph-60 Hz	digital	psi/bar/Nm/lbf.ft	7.8	1.8	0.90	1.85	80°	86.0	17.97	11.27	18.75
TPE25A	230V-1Ph-50 Hz	analog	psi/bar	6.5	1.5	0.75	1.85	80°	86.0	17.97	11.27	18.75
TPE25D	230V-1Ph-50 Hz	digital	psi/bar/Nm/lbf.ft	6.5	1.5	0.75	1.85	80°	86.0	17.97	11.27	18.75
TPE26A	230V-1Ph-60 Hz	analog	psi/bar	7.8	1.8	0.90	1.85	80°	86.0	17.97	11.27	18.75
TPE26D	230V-1Ph-60 Hz	digital	psi/bar/Nm/lbf.ft	7.8	1.8	0.90	1.85	80°	86.0	17.97	11.27	18.75
TPE45A	400V-3Ph-50 Hz	analog	psi/bar	6.5	1.5	0.75	1.85	80°	86.0	17.97	11.27	18.75
TPE45D	400V-3Ph-50 Hz	digital	psi/bar/Nm/lbf.ft	6.5	1.5	0.75	1.85	80°	86.0	17.97	11.27	18.75
TPE46A	480V-3Ph-60 Hz	analog	psi/bar	7.8	1.8	0.90	1.85	80°	86.0	17.97	11.27	18.75
TPE46D	480V-3Ph-60 Hz	digital	psi/bar/Nm/lbf.ft	7.8	1.8	0.90	1.85	80°	86.0	17.97	11.27	18.75

Optional coupler sets for simultaneous operation of multiple torque wrenches (one set supplied fitted as standard)

Model number	Description
TP-CS1	Single set of male/female flat face couplers, for simultaneous operation of two hydraulic wrenches
TP-CS2	Double set of male/female flat face couplers, for simultaneous operation of three hydraulic wrenches
TP-CS3	Triple set of male/female flat face couplers, for simultaneous operation of four hydraulic wrenches