

Pneumatic Nutrunner DP1



The new generation – DP1

Our new brawny pneumatic nutrunner DP1 is shorter and more slender than its predecessor DPM.

- The 5 new manufactured sizes of the DP1 replace the DPM in the respective performance categories and provide a torque range of 125 - 3,600 Nm.
- Pneumatic nutrunners by Plarad are designed for continuous operation in different application ranges in the fields of installation, maintenance and production. The DP1 is also suited for various tasks in the oil and gas industry or in the mining industry.
- The low-vibration technology protects the user's muscles and joints and effectively prevents the development of HAVS (Hand-Arm Vibration Syndrome).
- The low weight and the sophisticated ergonomic profile ensure an excellent handling.
- The gearbox is designed to sustain a constant load.
- The drive rotates 360°.

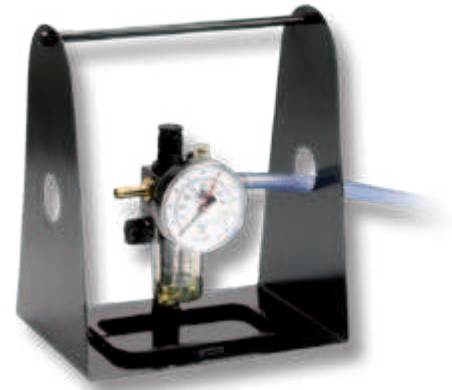


DP1 - robust and reliable in everyday use



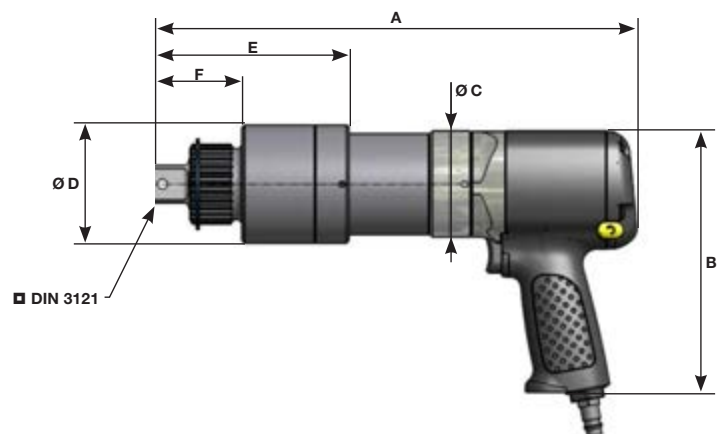
TC1 – the mobile measuring unit

Torque Control monitors the torque and thus the on-site bolting process. The system works without cables and is compatible with Plarad's current nutrunner program.



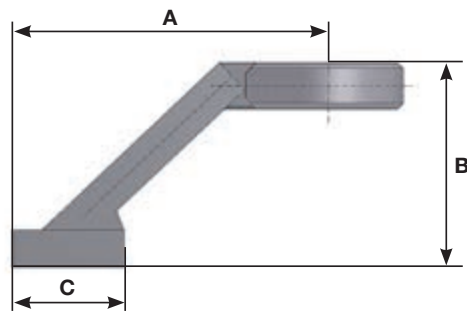
Pressure regulation unit

The desired torque can be set at the pressure regulation unit in accordance with the value listed in the included torque table.



Typ	Pressure p (bar)	Torque range (Nm)	Speed n (rpm)*	A (mm)	B (mm)	C (mm)	Ø D (mm)	E (mm)	F (mm)	■ = Output drive	Weight (kg)
DP1-05	6	125 - 500	55	281	177	72	68,5	144,5	60,5	¾ "	4,7
DP1-10	6	250 - 1.000	27,5	297	177	72	68,5	144,5	60,5	¾ "	4,9
DP1-20	6	380 - 2.000	7,2	321	177	72	80	132	61,5	1 "	6,0
DP1-30	6	580 - 3.000	4,2	337	177	72	80	132	61,5	1 "	6,6
DP1-36	6	760 - 3.600	3,6	337	177	72	80	132	61,5	1 "	6,6

Standard reaction arms



Typ	A (mm)	B (mm)	C (mm)	Weight (kg)
DP1-05	184	100	90	1,5
DP1-10	184	100	90	1,5
DP1-20	190	100	90	1,85
DP1-30	230	110	90	2,4
DP1-36	230	110	90	2,5

Optional accessories



Various accessories including the pressure regulation unit, fittings, extensions, welding rings, sockets, reaction arms or the mobile measuring unit Torque Control are available both as standard and custom models.

Available 24/7 providing the best support and service in the industry.

📍 **Address:** 125 – 3001 Buckingham Drive, Sherwood Park, AB T8H 0X5
 ☎ **Tell:** +1-780-440-1749 / After hours: +1-780-893-7793
 ✉ **E-mail:** sales@kasi.ca