

HHS | SINGLE ACTING HOLLOW PISTON CYLINDERS

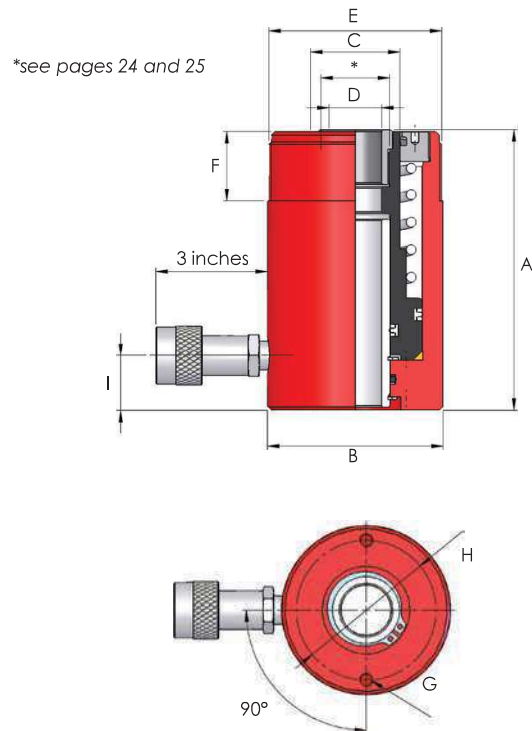


Capacities from 12 to 112 tons

Stroke lengths from 0.99 to 5.99 inches

Working pressure 10000 psi

- ▶ Single acting, spring assisted return
- ▶ Hollow piston design for tooling, maintenance and tensioning applications
- ▶ Nitrocarburized piston rod for corrosion resistance
- ▶ Low friction bearing surfaces
- ▶ Anti-extrusion seals for improved performance at high pressures
- ▶ Collar threads withstand full load
- ▶ Optional piston rod saddles listed on pages 24 and 25



Model number	Capacity (tons)	Stroke (in)	Oil capacity (in ³)	Cylinder eff. area (in ²)	Weight (lbs)
HHS101	12	0.99	2.38	2.45	6.2
HHS102	12	1.97	4.82	2.45	6.6
HHS106	12	5.99	14.64	2.45	22.5
HHS202	25	1.97	10.19	5.16	15.4
HHS206	25	5.91	30.5	5.16	30.4
HHS302	36	1.97	14.21	7.24	23.4
HHS306	36	5.99	43.31	7.24	42.3
HHS603	67	2.99	39.71	13.28	61.7
HHS606	67	5.91	78.39	13.28	89.5
HHS1003	112	2.99	66.37	22.18	141.1
HHS1006	112	5.91	130.97	22.18	165.3

Dimensions (in) (unless otherwise stated)									
A	B	C	D	E	F	G	H	I	
4.33	2.76	1.5	0.79	2 ¼"-16 UN	1.18	M8	2.01	0.75	
5.52	2.76	1.5	0.79	2 ¼"-16 UN	1.18	M8	2.01	0.75	
11.7	2.76	1.5	0.79	2 ¼"-16 UN	1.18	M8	2.01	0.75	
6.3	3.94	2.01	1.18	3 ¾"-12 UN	1.58	M8	3.25	1.22	
12.06	3.94	2.01	1.18	3 ¾"-12 UN	1.58	M8	3.25	1.22	
6.5	4.53	2.36	1.38	4 ½"-12 UN	1.58	M8	3.62	1.22	
12.61	4.53	2.36	1.38	4 ½"-12 UN	1.58	M8	3.62	1.22	
8.9	6.3	3.62	2.17	6 ¼"-12 UN	2.32	M12	5.12	1.22	
12.41	6.3	3.62	2.17	6 ¼"-12 UN	2.32	M12	5.12	1.22	
10.87	8.39	5	3.19	8 ¾"-12 UN	2.36	M16	7.01	1.77	
13.79	8.39	5	3.19	8 ¾"-12 UN	2.36	M16	7.01	1.77	

Note: If specifying this cylinder for use with the SLF and SLV synchronous lifting systems and associated mounting kit, please consider the increase in dimension A (closed height), see pages 43 and 47.